

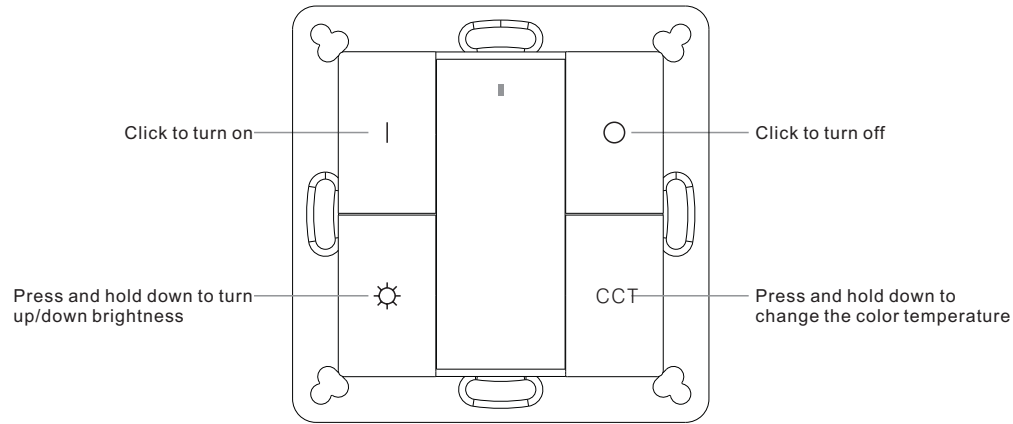
RF Dual Color Wall Mounted Controller

09.283K4CT.04472

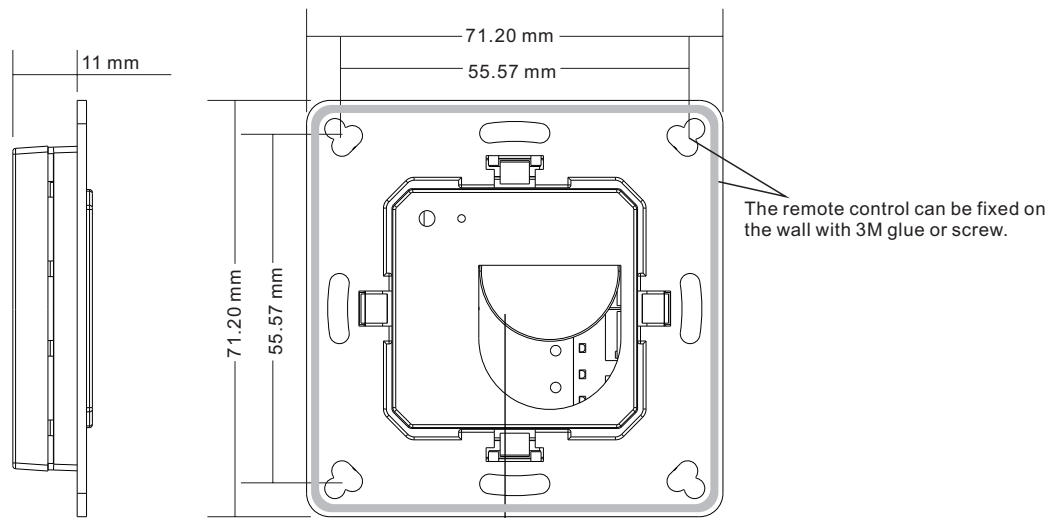


Important: Read All Instructions Prior to Installation

Function introduction



Front side



Battery: CR2430
Before the first use, please open the battery cover and remove the protective film

Back side

Product Data

Output	RF signal
Operation Frequency	869.5/434MHz
Power Supply	3V(1xCR2430 battery)
Operating temperature	0-40°C
Relative humidity	8% to 80%
Dimensions	71.2x71.2x13.6mm

- Control 1 zone of RF receiver
- CCT color controller
- Compatible with all universal series RF receivers
- 1 receiver can be paired by max 8 different remote controls.
- Waterproof grade: IP20

Safety & Warnings

- This device contains a button lithium battery that shall be stored and disposed properly.
- DO NOT expose the device to moisture.

Operation

1. Pair with RF receivers:

Click "Learning Key" on RF receiver → Click any button of RF remote → LED lights connected with the receiver will flicker once → The receiver is paired with remote successfully.

2. How to delete the pairing:

Press and hold down "Learning Key" on the receiver for over 3 seconds until connected LED lights flicker twice, which means the pairing is deleted successfully.

The key part of this controller is a universal, standard size design switch element that can be integrated in numerous frames by different manufactures as below list:

BEKER	S1, B1, B3, B7 glass
GIRA	Standard55, E2, Event, Esprit
JUNG	A500, Aplus
MERTEN	M-smart, M-Arc, M-Plan