

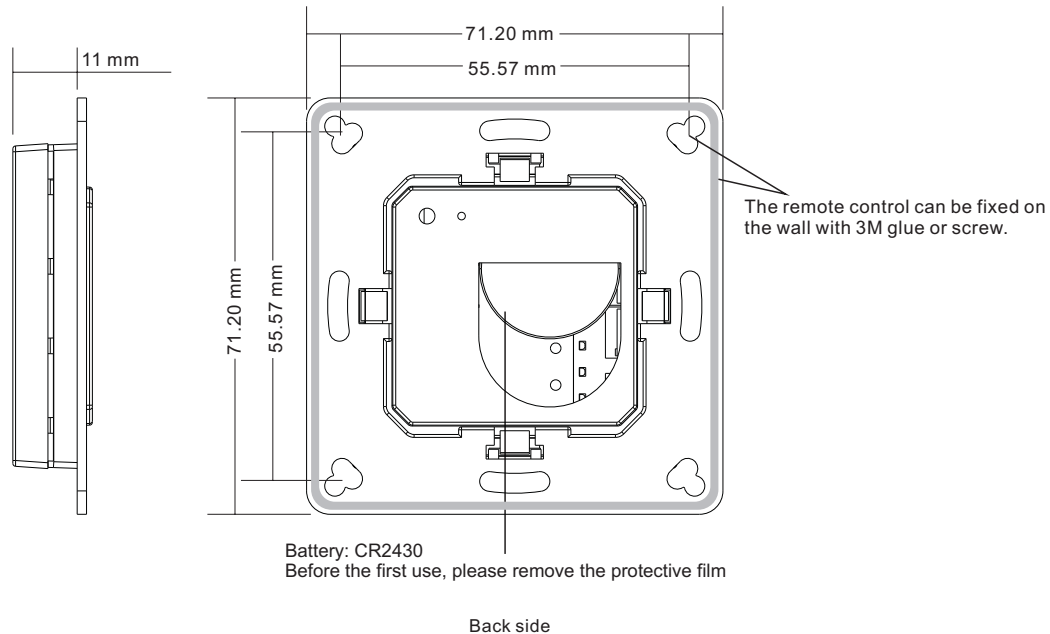
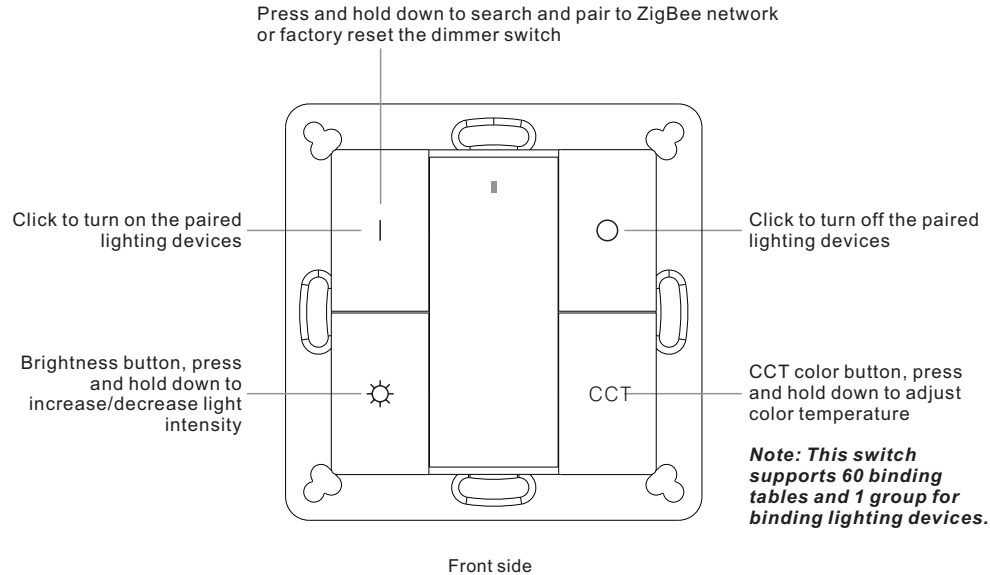
ZigBee Wireless CCT Remote

09.ZGK4D.04834



Important: Read All Instructions Prior to Installation

Function introduction



Product Data

| | |
|---------------------------------|------------------|
| Protocol | ZigBee 3.0 |
| Operation Voltage | 3VDC (CR2430) |
| Transmission Frequency | 2.4GHz |
| Transmission Range (free field) | 30m |
| Protection Type | IP20 |
| Dimming Range | 0.1%-100% |
| Dimensions | 71.2x71.2x13.6mm |

- ZigBee CCT remote based on ZigBee 3.0
- Enables to pair ZigBee lighting devices via touchlink commissioning without coordinator
- Supports find and bind mode to pair with ZigBee lighting devices
- Supports 1 group for binding lighting devices
- 2.4 GHz global operation
- Long battery life mesh technology
- Transmission range up to 30m
- Compatible with universal ZigBee Gateway products
- Compatible with universal CCT ZigBee lighting devices

Safety & Warnings

- This device contains a button lithium battery that shall be stored and disposed properly.
- DO NOT expose the device to moisture.

Operation

1. This ZigBee CCT remote is a wireless transmitter that communicates with a variety of ZigBee compatible systems. This transmitter sends wireless radio signals that are used to remotely control a compatible system.

2. This ZigBee CCT remote supports 1 group for binding lighting devices and enables to control CCT ZigBee lighting devices.

3. Pair to ZigBee Lighting Device Via TouchLink without Coordinator (Hub or Controller)

- 1) Initiate TouchLink Commissioning of ZigBee lighting device, please consult its manual to learn how.
- 2) Bring the remote within 10cm of the ZigBee lighting device.
- 3) Press and hold down on button | until the LED indicator on the remote turns on.
- 4) Click brightness button ☀ to start TouchLink commissioning procedure of the remote.
- 5) The LED indicator will first flash 6 times fast to indicate linking successfully and 4s later it will flash 4 times slowly to indicate successful binding to the device.

Note: Each lighting device can only pair to one switch via touchlink, and can not pair to different switches simultaneously. If TouchLink fails, please factory reset the lighting device and initiate TouchLink Commissioning again.

4. ZigBee Network Pairing Via ZigBee Coordinator (Hub or Controller Interface)

- 1) Please make sure the switch does not belong to any ZigBee network before pairing, click any key if the

indicator turns on, which means the remote has already paired to a network. Please remove it from the network first, otherwise the pairing will fail.

2) Press and hold down on button **|** until the LED status indicator turns on, then immediately click button **○** to enable the remote to search nearby network, LED indicator will flash every 1 second. 20 seconds timeout if there is no network, the indicator will turn off, repeat the operation.

3) From your ZigBee Controller or hub interface, choose to add device and enter Locating/Pairing mode as instructed by the controller.

4) Network Pairing Begins Automatically: LED indicator on the remote blinks 6 times quickly as it scans for a compatible network controller to pair with.

5) After the remote is located and paired to the ZigBee network, the indicator will stop blinking and turn off, then the remote will appear in your controller's menu.

6) The remote is now paired to the ZigBee network.

5. Battery Power Monitor Function, the switch will report battery power value to the coordinator under following situations:

- When powered on.
- When user clicks both **|** and **○** keys simultaneously.
- When user operates the remote to send data packets (over 4 hours since last operation).
- When added to the network by a coordinator.

6. Pair with A ZigBee Lighting Device Via Find and Bind Mode without Coordinator

1) Start find and bind mode on the ZigBee lighting device (initiator node) and enable it to find and bind target, please consult its manual to learn how.

2) Press and hold down on button **|** on the remote until the LED indicator turns on.

3) Click CCT button **CCT** to enable the remote (target node) to find and bind initiator.

4) The binding will be successful within 4 seconds, and LED indicator on the switch will flash 4 times. If binding fails, LED indicator will flash twice.

7. Unpair with A ZigBee Lighting Device Via Find and Bind Mode without Coordinator

1) Start find and bind mode on the ZigBee lighting device (initiator node) and enable it to find and unbind target, please consult its manual to learn how.

2) Press and hold down on button **|** on the remote until the LED indicator turns on.

3) Click CCT button **CCT** twice continuously to enable the remote (target node) to find and unbind initiator.

4) The unbinding will be successful within 4 seconds, and LED indicator on the switch will flash 4 times. If unbinding fails, LED indicator will flash twice.

8. Unpair with All ZigBee Lighting Devices Bind with The remote without Coordinator

1) Press and hold down on button **|** on the remote until the LED indicator turns on.

2) Click CCT button **CCT** five times continuously to clear all bind lighting devices with this remote.

3) LED indicator on the switch will flash 4 times to indicate successful unbinding of all devices.

9. Binding Between the Switch and ZigBee Lighting Devices Via Coordinator (Hub or Controller Interface)

1) Once the switch and compatible ZigBee lighting devices are paired to the same network, click any button to activate the remote, then from your ZigBee controller or hub interface, choose to bind devices to the remote as instructed by the controller. Then the devices can be controlled by the remote.

2) Once the binding operation is done between the remote and ZigBee lighting devices, the remote can still control the devices in the event of gateway/coordinator loss.

Note: This switch supports 60 binding tables and 1 group for binding lighting devices.

10. Unbinding Between the Remote and ZigBee Lighting Devices

To unbind the remote and ZigBee lighting devices, first click any button to activate the switch, then from your

ZigBee controller or hub interface, choose to unbind the device from a remote as instructed by the controller.

11. Factory Reset the Remote (Remove From ZigBee Network)

From the ZigBee Controller or Hub Interface

1) From your ZigBee controller or hub interface, choose to remove or reset the remote as instructed. The LED indicator on the remote will turn on and flash 3 times quickly to indicate successful reset to factory default setting.

Manual

2) Press and hold down on button **|** until the LED indicator on the switch turns on -> immediately click button **|** 5 times continuously -> LED indicator flashes 3 times quickly to indicate successful removal from the network and reset to factory default.

Note: All configuration parameters will be reset after the remote is removed from the network.

12. ZigBee Clusters Supported by This Remote Are As Follows:

Input clusters:

- Basic
- Power Configuration
- Identify
- Diagnostics

Output clusters:

- Identify
- On/off
- Level control
- Ota
- Color control

Mounting

The key part of this controller is an universal one, especially rotary standard switch element that can be integrated in numerous frames by different manufactures as below list:

| | |
|--------|-------------------------------|
| BEKER | S1, B1, B3, B7 glass |
| GIRA | Standard55, E2, Event, Esprit |
| JUNG | A500, Aplus |
| MERTEN | M-smart, M-Arc, M-Plan |